

INSTALLATION MANUAL

PRODUCT: REAR BUMPER

MODEL: JEEP WRANGLER JL (2018-)

PART NO: 2D.2709.2-NL STUBBY
2D.2723.2-NL FULL WIDTH



CAUTION!

To reduce the risk of serious injury or damage, please read and understand all instructions and procedures before attempting to install or use this product. Safety glasses must be worn at all times during installation or maintenance of this product. Ensure all mounting bolts are tensioned after 250 miles (400 km) and periodically thereafter.

NOTICE

Whilst the bumper adds additional protection to your vehicle, precautionary measures still need to be taken to avoid damage. Always drive to the conditions and your surroundings.

REAR BUMPER

Part number 2D.2723.2-NL (FULL WIDTH)

Suited to vehicle: JEEP WRANGLER JL (2018-)

Material: Aluminum / Steel

Part number 2D.2709.2-NL (STUBBY)

Suited to vehicle: JEEP WRANGLER JL (2018-)

Material: Aluminum / Steel



SAFETY NOTICE

* The Bumper is designed to compliment the use and design of the specified vehicle under conditions specified by the vehicle manufacturer.

* While driving the vehicle at any speed, collision with any other vehicle, animal or object must always be avoided.

* Following any collision with any other vehicle, animal or object, Bumper and the vehicle must be inspected by a specialized or suitably qualified vehicle repairer for possible damage to the components and assemblies in order to confirm suitability for further use of the vehicle.

* It is strongly recommended that you do not operate a vehicle with a damaged bumper or its components. In the case of damage, please contact the nearest Rival authorised stocklist.

* The operation of a vehicle where the bumper is not properly attached and fastened to the vehicle, or where the bumper has been damaged, is extremely dangerous and must be avoided at all cost.

* It is recommended that you carry out regular inspections of all the bumper elements such as all bolts, wires, connectors.

INSTALLATION NOTICE

* The Bumper must be mounted and affixed to the vehicle according to the installation manual provided by an authorized Rival dealer or Motor dealer or by a special vehicle repairer or fitment center.

* Estimated time for installation: 2 hours.

* Personal safety during the installation process must be adhered to at all times and the use of personal safety equipment is highly recommended.

* Do not install this bumper on vehicle models other than those allowed in this manual.

* Check state and local highway safety laws regarding permitted bumper types and heights.

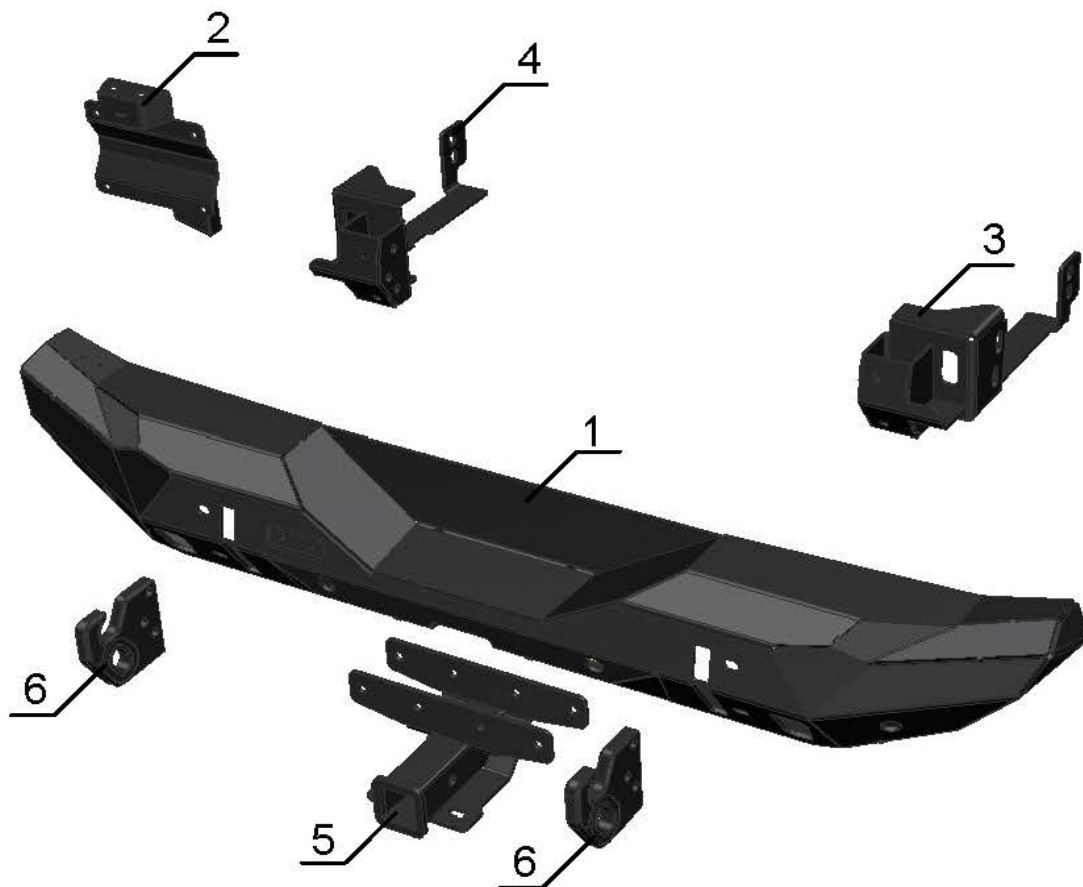
REQUIRED TOOLS

- * Basic tool kit
- * Torque wrench
- * Crosspoint and flat head screwdriver

TORQUE SETTING

- * M6 - 9 Nm (6.6 lb/ft)
- * M10 - 30 N·m (22.1 lb/ft)
- * M12 - 77 Nm (56.8 lb/ft)
- * M14 - 122.9 Nm (90.6 lb/ft)

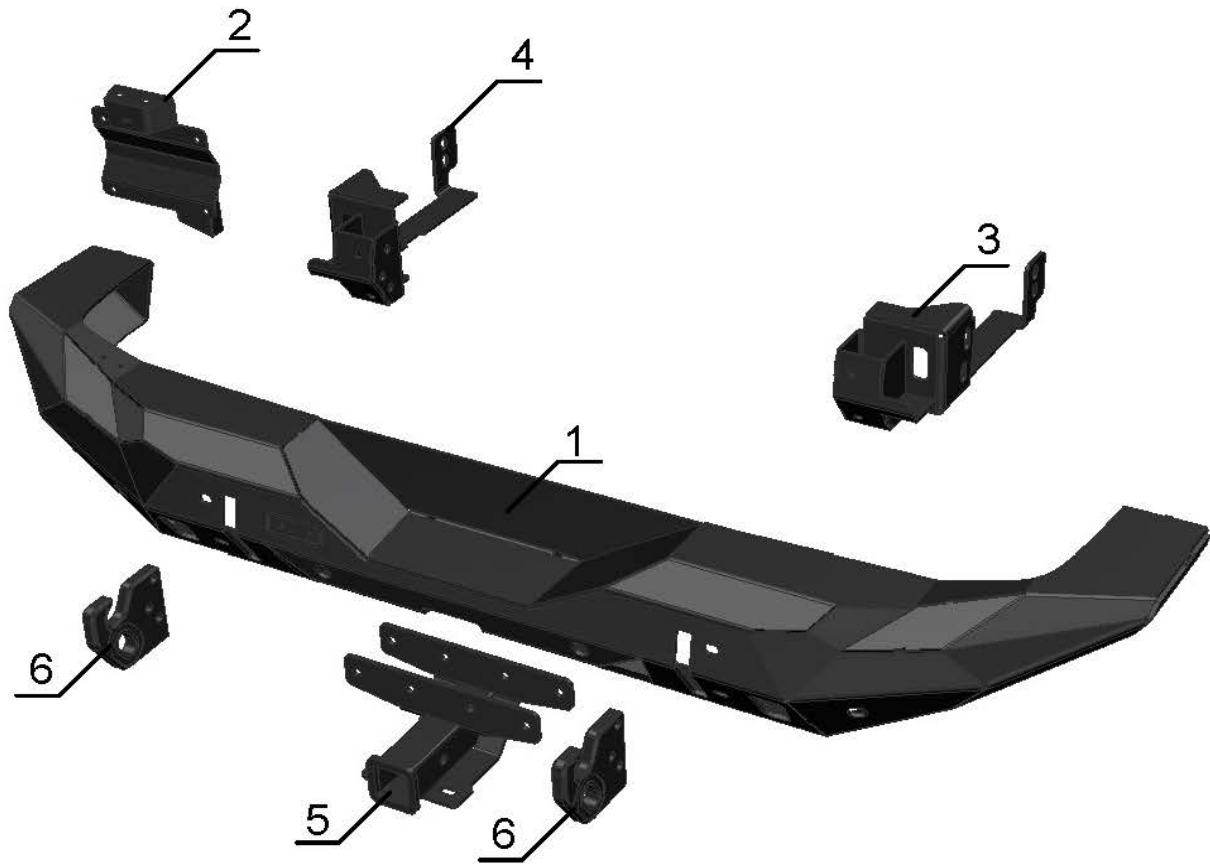
PARTS LISTING



Rear stubby bumper 2D.2709.2-NL

- 1. Aluminum bumper body Qty 1
- 2. Licence plate bracket Qty 1
- 3. Right bracket..... Qty 1
- 4. Left bracket Qty 1
- 5. Tow bar square..... Qty 1
- 6. Tow hook..... Qty 2
- 7. Rear bumper wire extension..... Qty 1

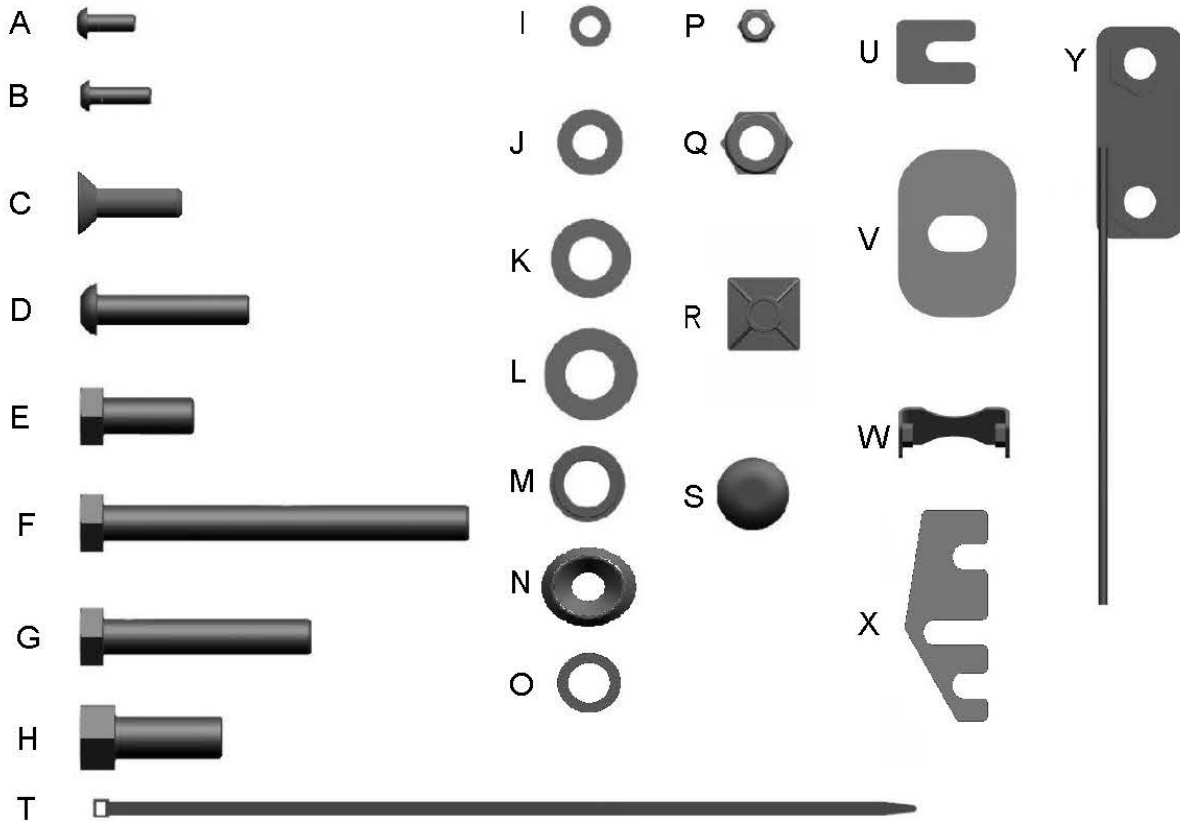
PARTS LISTING



Rear full width bumper 2D.2723.2-NL

- 1. Aluminum bumper bodyQty 1
- 2. Licence plate bracketQty 1
- 3. Right bracket..... Qty 1
- 4. Left bracketQty 1
- 5. Tow bar square.....Qty 1
- 6. Tow hook.....Qty 2
- 7. Rear bumper wire extension..... Qty 1

PARTS LISTING



2D.2709.2-NL / 2D.2723.2-NL

A. Screw M6x16.....	Qty 8
B. Screw M6x20.....	Qty 2
C. Screw M10x30.....	Qty 4
D. Screw M10x50.....	Qty 2
E. Bolt M12x30.....	Qty 2
F. Bolt M12x120.....	Qty 4
G. Bolt M12x50.....	Qty 6
H. Bolt M14x35.....	Qty 4
I. Washer 6.....	Qty 12
J. Washer 10.....	Qty 2
K. Washer 12.....	Qty 16
L. Washer 14.....	Qty 4
M. Parking sensor washer.....	Qty 4
N. Countersunk washer.....	Qty 4
O. Spacer 6mm.....	Qty 2
P. Nut M6.....	Qty 2
Q. Nut M12.....	Qty 4
R. Cable clips.....	Qty 5
S. Plastic plug.....	Qty 2
T. Cabletie.....	Qty 5
U. Spacer plate 2mm.....	Qty 4
V. Spacer plate.....	Qty 6
W. Parking sensor holding bracket....	Qty 4
X. Spacer plate 2mm.....	Qty 6
Y. Insert bracket M12.....	Qty 1

INSTALLATION PROCEDURE

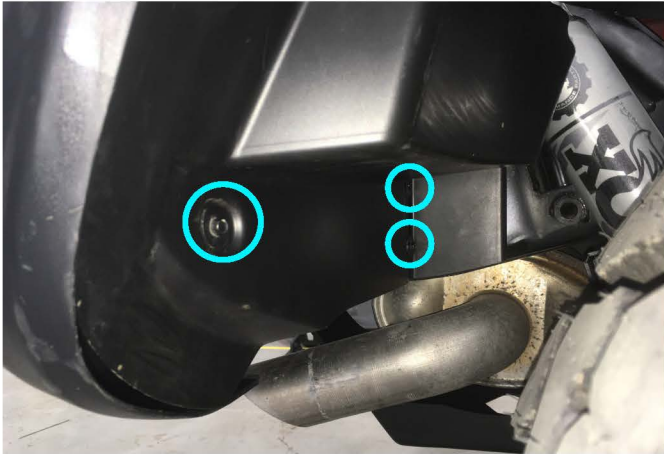


Fig.1

1. Unscrew 3 bolts from OE mud flap (on each side). Uninstall mud flaps (Fig.1).

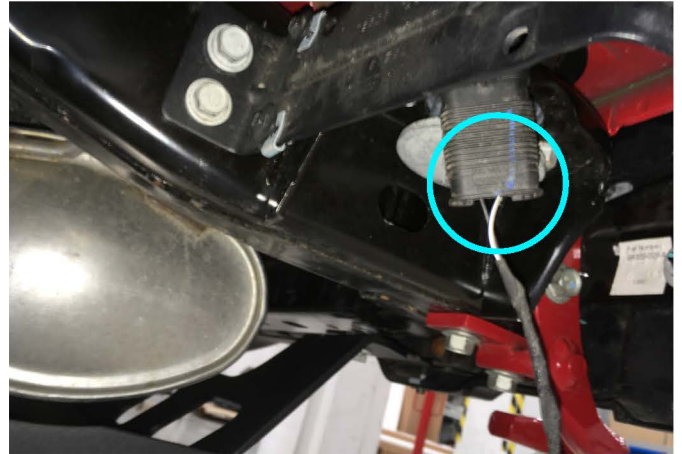


Fig.2

2. Disconnect license plate lights on the left side of the vehicle (Fig.2).



Fig.3

3. Unscrew bumper's fitting bottom bolts (Fig.3).



Fig.4

4. Remove fascia plate trim clips. Remove plastic push clips, using a small feather edge screwdriver (Fig.4).

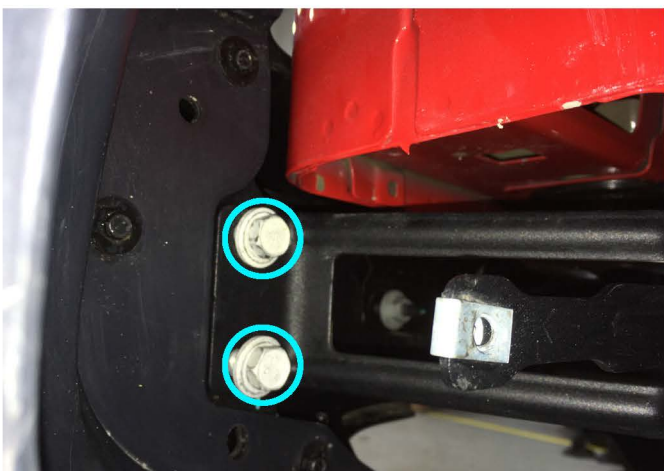


Fig.5

5. Unscrew 2 bumper's fitting bolts on the left and right side of the vehicle (Fig.5).

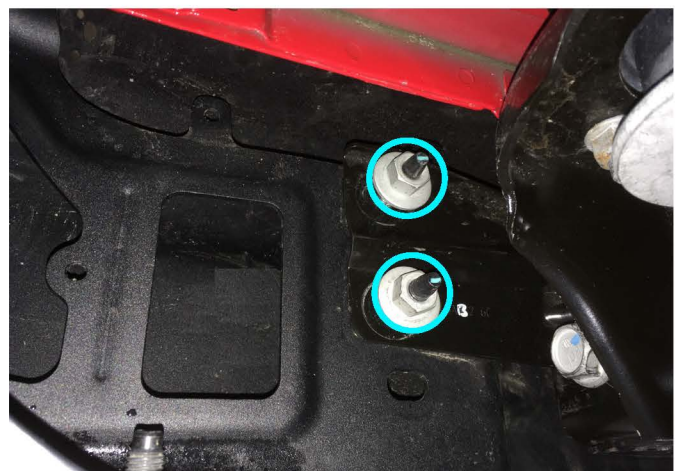


Fig.6

6. Unscrew 2 bumper's fitting nuts on the left and right side, close to body mount kit rear. Uninstall OE bumper (Fig.6).

INSTALLATION PROCEDURE



Fig.7

7. Unscrew 2 side bracket's fitting bolts on the left and right side (Fig.7).



Fig.8

8. Unscrew 2 bumper bracket's fitting bolts on the right side of the vehicle (Fig.8).



Fig.9

9. Unscrew 4 OE tow hook's fitting bolts on the left side of the vehicle (Fig.9).



Fig.10

10. Install right bracket (pos. 3) on the car frame, put insert bracket M12 (pos.Y) onto the frame through the bracket hole. Fix the bracket to the Insert bracket M12 (pos. Y) using bolts M12x30 (pos.E) and washers 12 (pos.K) (Fig.10). **Do not tighten yet.**

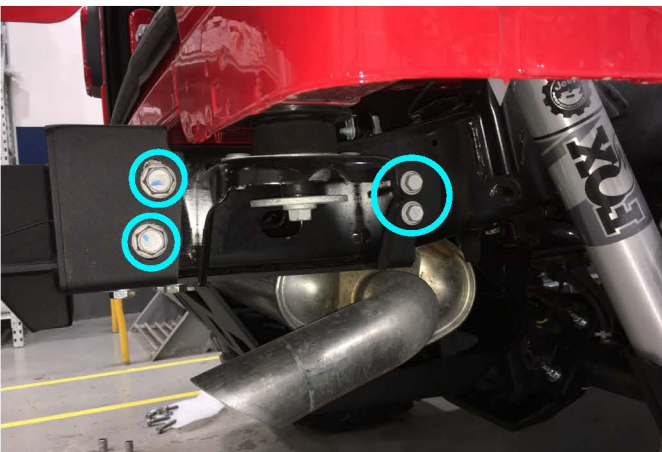


Fig.11

11. Fix right bracket (pos.3) using OE bolts M14 and M10 (Fig.11).
Tighten hardware after that.



Fig.12

12. Fix left bracket (pos.4) using bolts M14x35 (pos. H) and washers 14 (pos.L) (Fig.12). **Tighten hardware after that.**

INSTALLATION PROCEDURE



Fig.13

13. Fix back end of the bracket (pos.4) using OE bolts M10 (Fig.13).

Tighten hardware after that.



Fig.14

14. Install tow bar square (pos.5) using bolts M12x120 (pos.F), washer 12 (pos.K) and nuts M12 (pos.Q) (Fig.14).

Tighten hardware after that.



Fig.15

15. Install tow hooks (pos. 6). Screw 2 bolts M12x50 (pos.G) and washers 12 (pos.K) into the upper and middle holes as shown the fig.15. **Temporarily tighten middle bolt.**



Fig.16

16. Screw third bolt M12x50 (pos. G) into the lower hole, using washer 12 (pos.K) and spacer 6 mm (pos. O) (Fig.16). **Do not tighten yet.**

Due to the fact that dimensions of vehicle frame might have difference on different vehicles, it is necessary to use spacer plates 2mm (pos. X). Usually you'll need 3 spacers on each side of the vehicle.



Fig.17

17. Measure the distance between the outer edges of the tow hooks. The distance should be 29.84-30inch (758-762mm) (Fig.17 and Fig.18).



Fig.18

INSTALLATION PROCEDURE



Fig.19

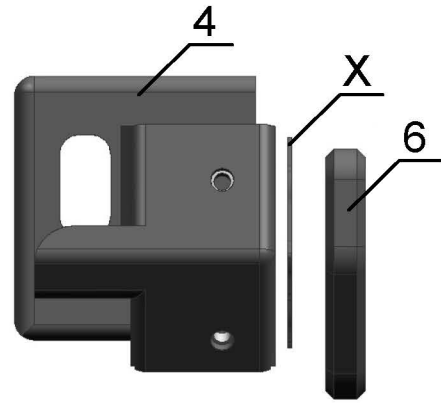


Fig.20

18. If the distance is not equal to 29.84-30inch (758-762mm), install between the brackets (pos. 3, 4) and the tow hooks (pos.6) spacers plate 2mm (pos. X). Install same quantity of spacers on the left and right sides (Fig.19 and Fig.20). **Tighten all hardware after that.**



Fig.21

19. Uninstall fittings of wiring of license plate lights in the OE bumper (Fig.21).



Fig.22

20. Remove the license plate lights. Disconnect license plate lights connector (Fig.22).



Fig.23

21. Install license plate bracket (pos.2) using screws M6x20 (pos.B), washers 6 (pos.I) and nuts M6 (pos.P) (Fig.23). **Tighten hardware after that.**



Fig.24

22. Connect wiring of the license plate bracket lights through the license plate hole (Fig.24).

INSTALLATION PROCEDURE



Fig.25

23. Fix license plate lights using OE fitting fit. **Be careful, do not damage screw thread** (Fig.25).

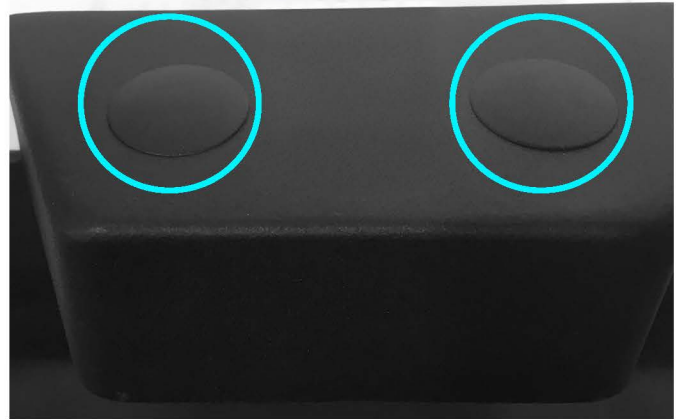


Fig.26

24. Mount plastic plugs (pos. S) onto the license plate bracket holes (Fig.26).

Installation manual of bumper on a vehicle with parking sensors



Fig.27

25. Unscrew 3 screws that hold bumper bracket on the left and right side (Fig.27).



Fig.28

26. Unscrew 3 screws and carefully snap off 3 plugs that hold outer sidewall bumper bracket on the left and right side (Fig.28).

INSTALLATION PROCEDURE



Fig.29

27. Unscrew 3 screws that hold inner sidewall bumper bracket on the left and right side from the inside and 2 screws on the outside (Fig.29).

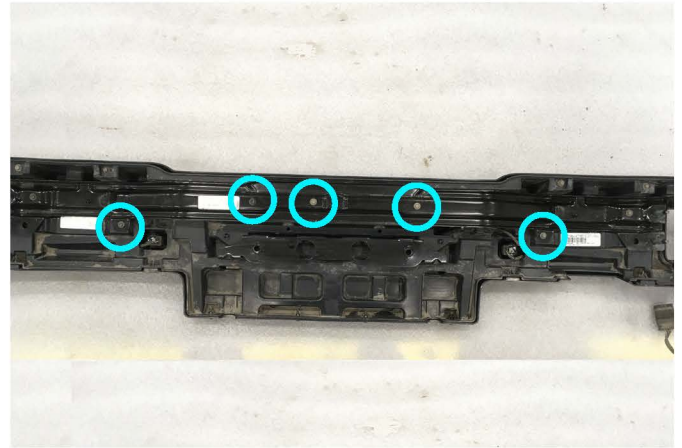


Fig.30

28. Unscrew 5 screws that hold bumper reinforcement (Fig.30).



Fig.31

29. Disconnect 4 parking sensors connectors (Fig.31).

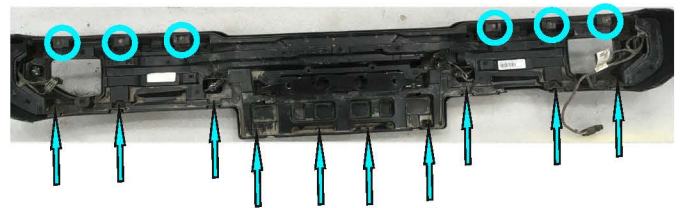


Fig.32

30. Unscrew 6 screws at the top and 10 screws at the bottom that hold plastic bumper reinforcement (Fig.32).

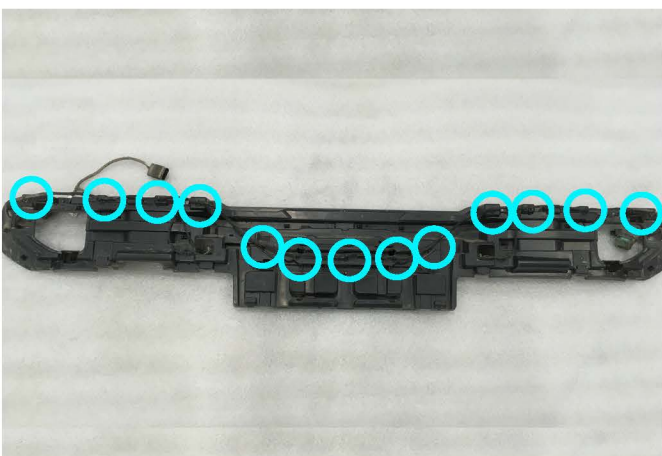


Fig.33

31. Disconnect parking sensors wiring from plastic bumper reinforcement (Fig.33).



Fig.34

32. Take parking sensors off the bumper (Fig.34).

INSTALLATION PROCEDURE

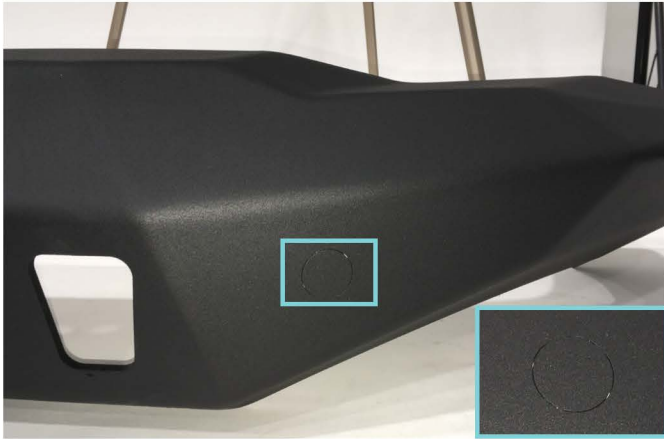


Fig.35

33. Hammer out 4 parking sensors plugs from the bumper (For the vehicle with parking sensors) (Fig.35).



Fig.36

34. Install parking sensor washers (pos. M) into the holes that you hammered out (Fig.36).



Fig.37

35. Install parking sensors into the parking sensors washers and fix it using parking sensor holding brackets (pos. W). Fix parking sensor holding brackets using screws M6x16 (pos. A) and washers 6 (pos. I) (Fig.37).

Tighten hardware (make sure that parking sensors fixed well).

If vehicle equipped with factory parking sensors, use rear bumper wire extention (pos.7) (Fig.38).

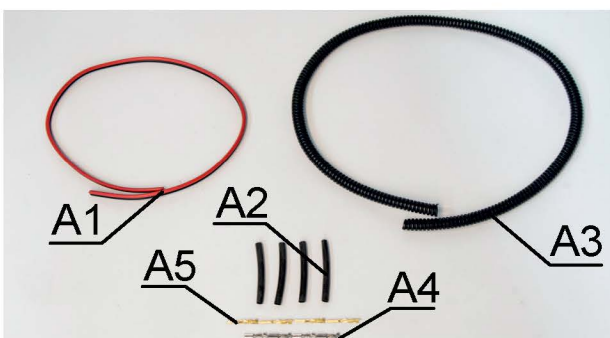


Fig.38

- A1. Wire..... Qty 1
- A2. Heat-shrink tubing..... Qty 4
- A3. Corrugation..... Qty 1
- A4. Female terminal..... Qty 4
- A5. Make terminal..... Qty 4

INSTALLATION PROCEDURE

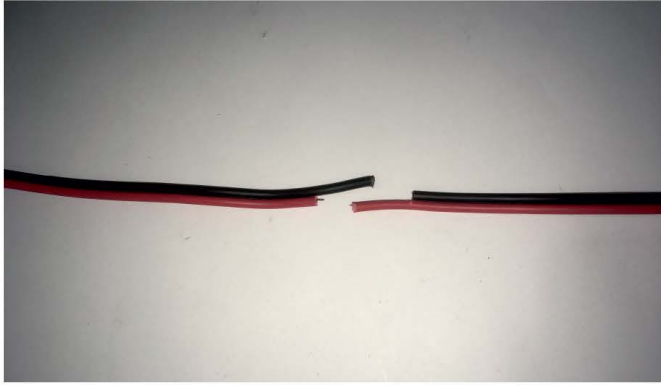


Fig.39

36. Incise the wires exactly as shown on the fig.39. Strip the ends of the wires from insulation (Fig.39).



Fig.40

37. Place the heat-shrink tubing (pos. A2) onto the wire (pos. A1) as shown. Mount male terminals (pos. A5) from both sides of the wire. Crimp the terminals (Fig.40).



Fig.41

38. Mount female terminals (pos. A4) onto the factory stock wires. Crimp the terminals. (Fig.41).



Fig.42

39. Connect the terminals (Fig.42).

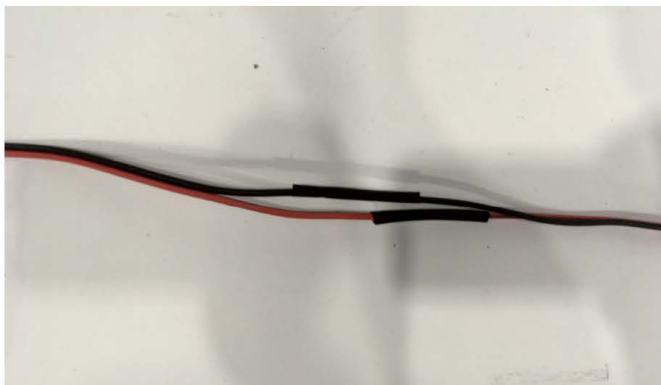


Fig.43

40. Place the heat-shrink tubing (pos. A2) over the terminals, then heat the tubing (Fig.43).



Fig.44

41. Place the corrugation (pos. A3) over the entire extension. (Fig.44).

INSTALLATION PROCEDURE



Fig.45

42. Connect wiring with parking sensors. Fix wiring on the bumper using cable clips (pos. R) and cable tie (pos. T) (Fig.45).



Fig.46

43. Install aluminum bumper body (pos.1) onto the brackets. Adjust bumper until you have an equal gap between vehicle body and the bumper on both sides. Connect license plate lights connector (Fig.46).



Fig.47

44. Fix aluminum bumper body (pos.1) using screws M10x30 (pos.C) and countersunk washers (pos.N) (Fig.47). **Tighten hardware after that.**



Fig.48

45. Instal OE tow bar socket on spacer plate (pos. U) and spacer plate (pos.V), both sides, fix it using OE bolts M10 (Fig.48). **Tighten hardware after that.**

INSTALLATION PROCEDURE

Before operating a vehicle fitted with a RIVAL Bumper 2D.2709.2-NL:

- make sure all fittings are tightened
- check all electrical wiring attached to lights



INSTALLATION PROCEDURE

Before operating a vehicle fitted with a RIVAL Bumper 2D.2723.2-NL:

- make sure all fittings are tightened
- check all electrical wiring attached to lights



Thank you for your choice!

**Sincerely,
RIVAL 4x4 Team**