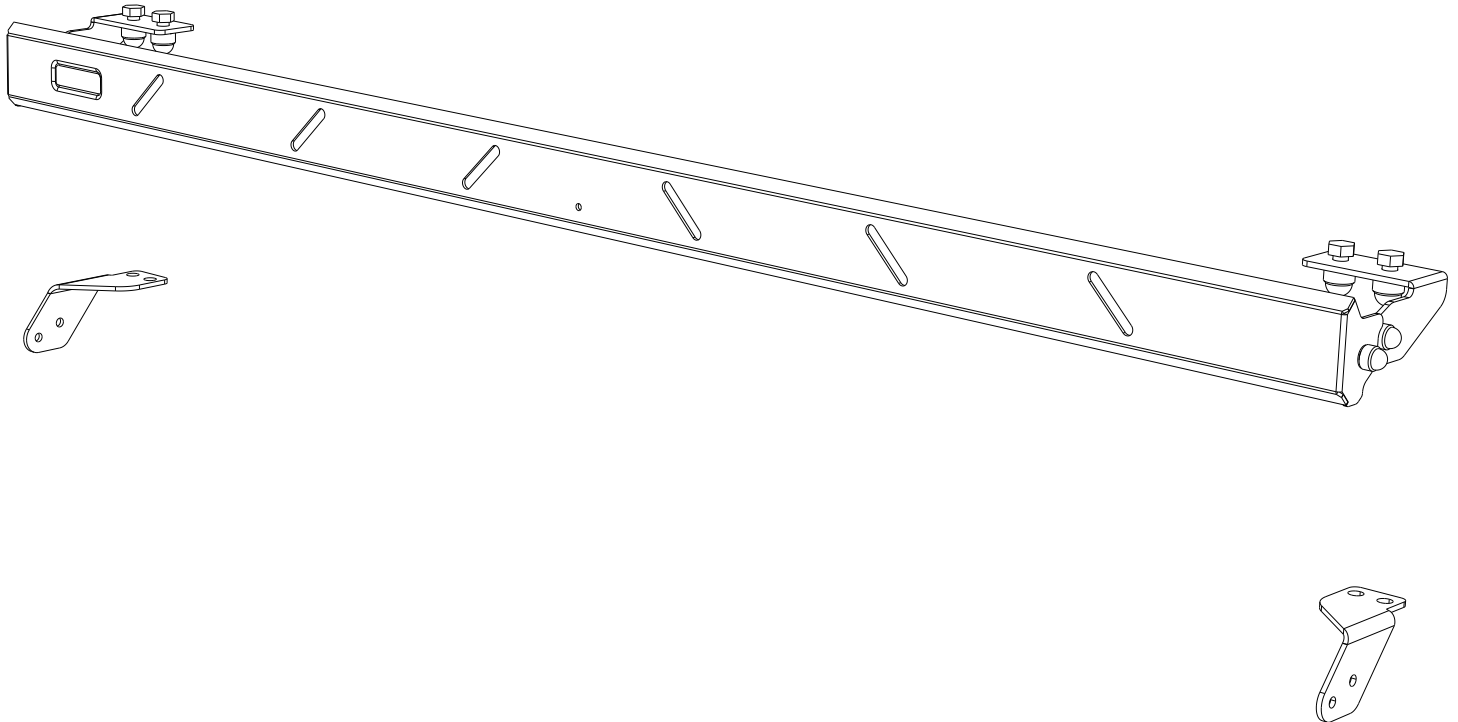


FRONT RUNNER

**40" SLIM LED LIGHT BAR VX1000-CB
SM MOUNTING BRK**

ENG

RRAC217



READ ME ! ⚠

Thank you for purchasing a Front Runner 40" Slim LED Light Bar VX1000 - CB SM Mounting Bracket.

Before you start, take a moment to familiarize yourself with the Fitting Instructions and the included components.

Refer to Page 2 for a list of all the components, quantities and tools required.

IMPORTANT WARNING! ⚠

IT IS CRITICAL THAT ALL FRONT RUNNER PRODUCTS BE PROPERLY AND SECURELY ASSEMBLED AND ATTACHED TO YOUR VEHICLE. IMPROPER ATTACHMENT COULD RESULT IN AN AUTOMOBILE ACCIDENT, AND COULD CAUSE SERIOUS BODILY INJURY OR DEATH. YOU ARE RESPONSIBLE FOR ASSEMBLING AND SECURING ALL FRONT RUNNER PRODUCTS TO YOUR VEHICLE, CHECKING THE ATTACHMENTS PRIOR TO USE, AND PERIODICALLY INSPECTING THE PRODUCTS FOR ADJUSTMENT, WEAR AND DAMAGE. THEREFORE, YOU MUST READ AND UNDERSTAND ALL OF THE INSTRUCTIONS AND PRECAUTIONS SUPPLIED WITH YOUR FRONT RUNNER PRODUCT PRIOR TO INSTALLATION OR USE. IF YOU DO NOT UNDERSTAND ALL OF THE INSTRUCTIONS AND CAUTIONS, OR IF YOU HAVE NO MECHANICAL EXPERIENCE AND ARE NOT THOROUGHLY FAMILIAR WITH THE INSTALLATION PROCEDURES, YOU SHOULD HAVE THE PRODUCT INSTALLED BY A PROFESSIONAL INSTALLER OR OTHER QUALIFIED PERSONNEL.

NOTE: Front Runner will not be responsible for any damage caused by the failure to install the product according to these instructions.

Please call us if you have any questions about the installation of this product.



1 GET ORGANIZED

IN THE BOX

1	2 X	Front Mounting Bracket
2	1 X	Light Cover
3	2 X	Bottom Mounting Bracket
4	4 X	M6 Washer
5	2 X	M6 Nyloc Nut
6	4 X	M8 x 20 Button Head Bolt
7	4 X	M8 Nyloc Nut
8	4 X	M6 Nut Cap
9	4 X	M8 x 16 Hex Head Bolt
10	4 X	M8 Nut Cap
11	2 X	T-Slot Rubber (1475mm)
12	1 X	M4 x 8 Button Head Bolt
13	1 X	Rubber Buffer 15 x 7.5
14	1 X	M4 Hex Nut
15	1 X	SBR-33 5 x 12 Self Adhesive (1020mm)

IN THE BOX

16	2 X	M6 x 12 Hex Head Bolt
17	2 X	Mounting Bracket - Van Rack
18	4 X	Schnorr Washer
19	4 X	M8 x 12 Button Head Bolt
20	4 X	M8 Half Nut

TOOLS NEEDED

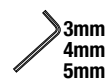
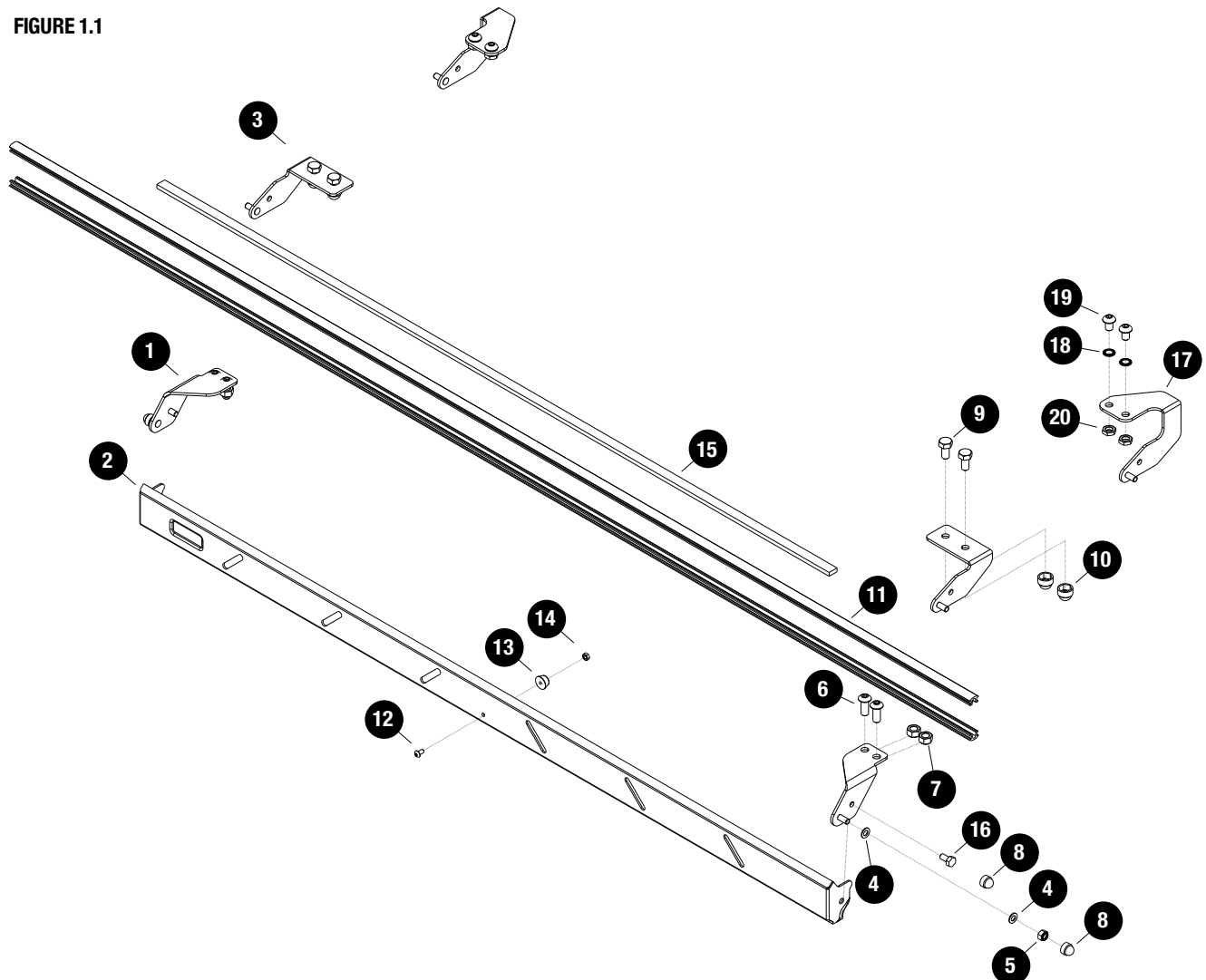
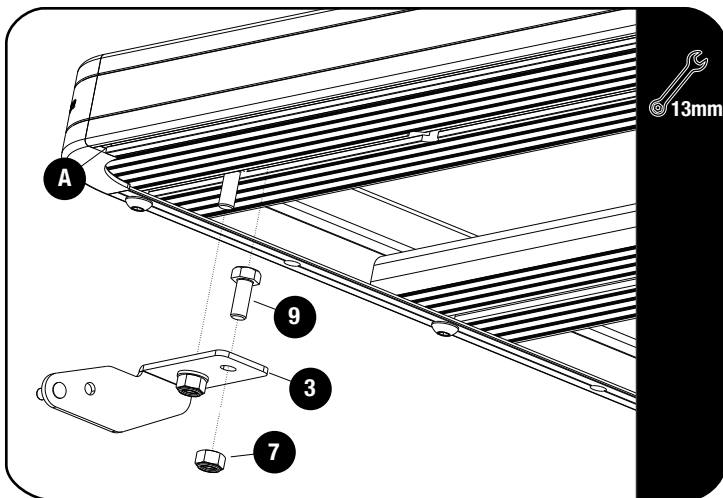


FIGURE 1.1



2**FIT AND SECURE - SLII UNDER RACK FITMENT - OPTION 1**

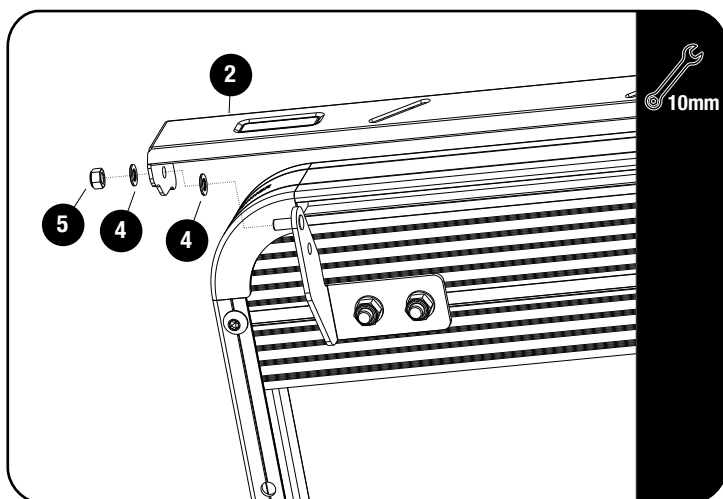
2.1



Loosely assemble the Under Rack Mounting Bracket (Item 3) to the front combined slat as shown using M8 x 16 Hex Head Bolts and M8 Nyloc Nuts (Items 7 & 9).

The T-Slot Rubber can be inserted in the combined slats T-Slots as indicated by (A).

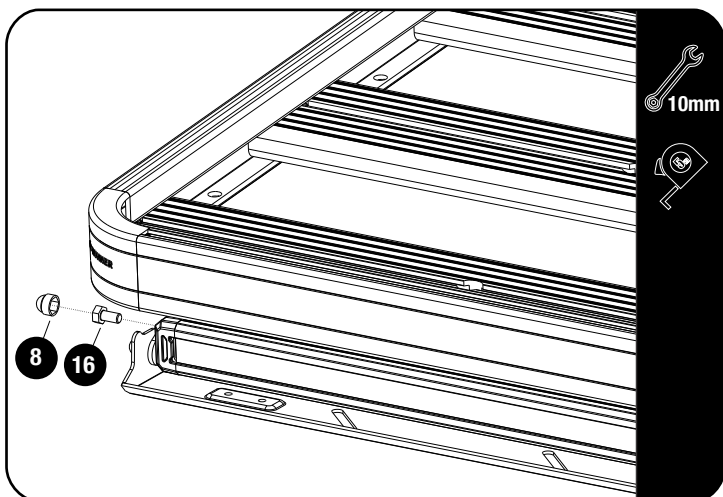
2.2



Secure the Rubber Buffer (Item 13) to the Light Cover (Item 2) as shown in Fig 1.1.

Loosely Assemble the Light Cover assembly to the Under Rack Mounting Brackets (Item 3) using M6 Washers and M6 Nyloc Nuts (Items 4 & 5).

2.3



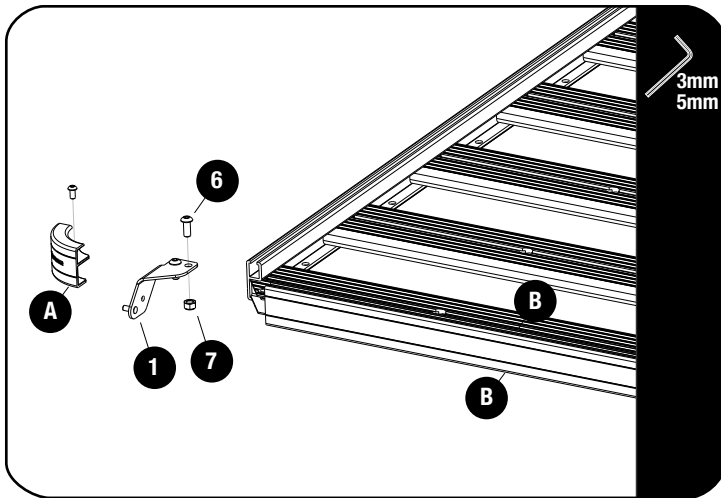
Loosely assemble the Light Bar (Sold Separately - LIGH213) to assembly 2.2 using M6 x 12 Hex Bolt. Center the Brackets and fully tighten all fasteners.

Finish with Nut Caps (Items 8 & 10).

3

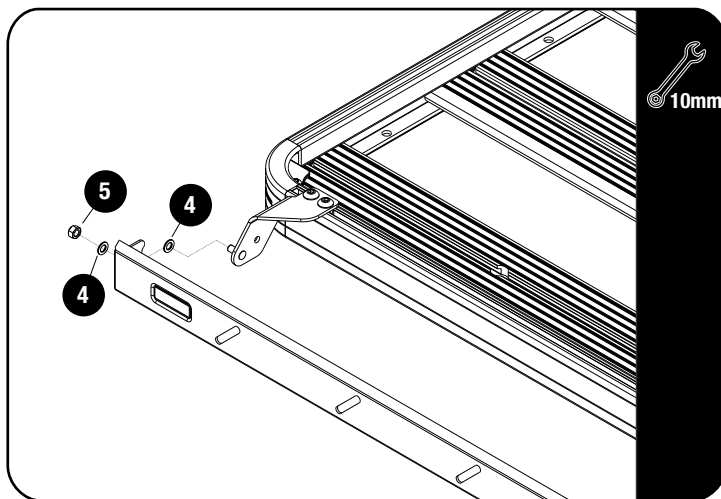
FIT AND SECURE - SLII FRONT RACK MOUNT - OPTION 2

3.1



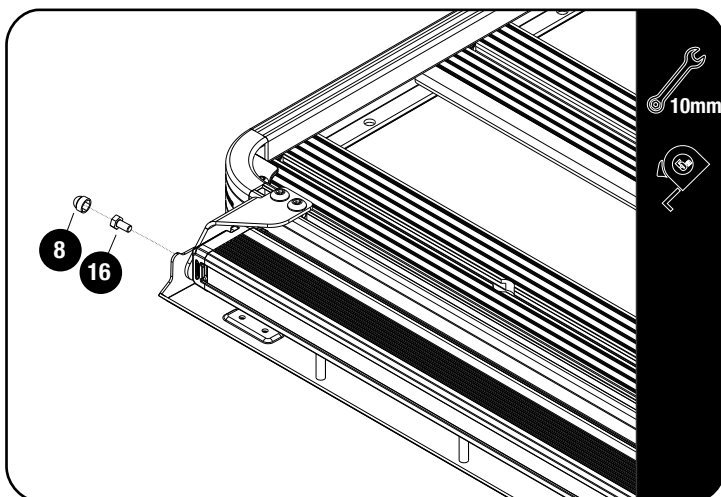
Remove the corner as indicated by (A).
Loosely assemble the Front Rack Mounting Bracket (Item 1) to the front combined slat as shown using M8 x 20 Hex Head Bolts and M8 Nyloc Nuts (Items 6 & 7).
The T-Slot Rubber can be inserted in the combined slats T-Slots as indicated by (B).

3.2



Secure the Rubber Buffer (Item 13) to the Light Cover (Item 2) as shown in Fig 1.1.
Loosely Assemble the Light Cover assembly to the Front Rack Mounting Brackets (Item 1) using M6 Washers and M6 Nyloc Nuts (Items 4 & 5).

3.3

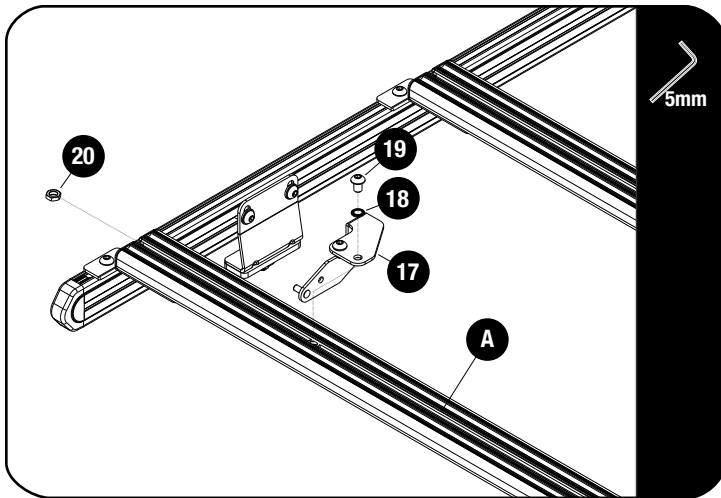


Loosely assemble the Light Bar (Sold Separately - LIGH213) to assembly 3.2 using M6 x 12 Hex Bolt. Center the Brackets and fully tighten all fasteners.
Finish with Nut Caps (Items 8 & 10).

4

FIT AND SECURE - SLIMPRO RACK MOUNT - OPTION 3

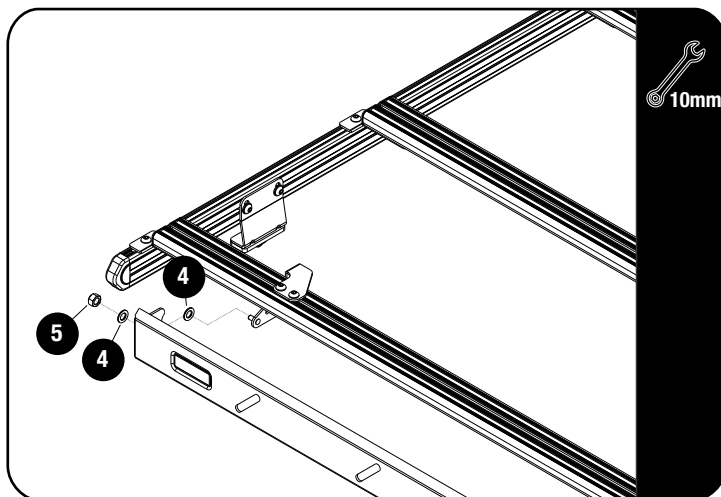
4.1



Loosly assemble the Van Rack Mounting Bracket (Item 17) to the front slat as shown using M8 x 12 Button Head Bolts, M8 Schnorr Washers and M8 Half Nuts (Items 18, 19 & 20).

The T-Slot Rubber can be inserted in the slats T-Slots as indicated by (A).

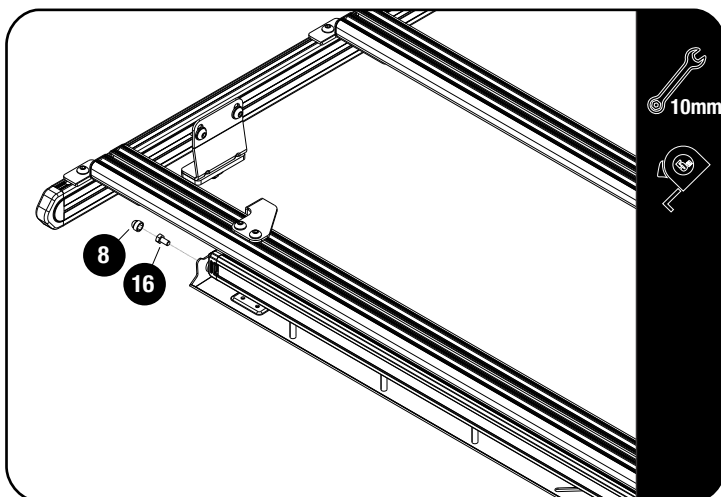
4.2



Secure the Rubber Buffer (Item 13) to the Light Cover (Item 2) as shown in Fig 1.1.

Loosely Assemble the Light Cover assembly to the Under Rack Mounting Brackets (Item 3) using M6 Washers and M6 Nyloc Nuts (Items 4 & 5).

4.3



Loosly assemble the Light Bar (Sold Separately - LIGH213) to assembly 4.2 using M6 x 12 Hex Bolt. Center the Brackets and fully tighten all fasteners.

Finish with Nut Caps (Items 8 & 10).

3

FINISH

Congratulations! You did it. Take a step back and admire your work!

4

INSTALL OTHER VEHICLE AND RACK ACCESSORIES

Now's the time to visit your favorite Front Runner Dealer in person or online.

Be sure to tag us. We love to see our gear in action! #FrontRunnerOutfitters #BornToRoam

Share your adventures on: 