

READ ME ! ⚠

Thank you for purchasing a Toyota Hilux Vigo/Revo Double Cab (2005 - Current) Rear Seat Vehicle Safe.
Before you start, take a moment to familiarize yourself with the Fitting Instructions and the included components.
Refer to Page 2 for a list of all the components, quantities and tools required.

IMPORTANT WARNING! ⚠

IT IS CRITICAL THAT ALL FRONT RUNNER PRODUCTS BE PROPERLY AND SECURELY ASSEMBLED AND ATTACHED TO YOUR VEHICLE. IMPROPER ATTACHMENT COULD RESULT IN AN AUTOMOBILE ACCIDENT, AND COULD CAUSE SERIOUS BODILY INJURY OR DEATH. YOU ARE RESPONSIBLE FOR ASSEMBLING AND SECURING ALL FRONT RUNNER PRODUCTS TO YOUR VEHICLE, CHECKING THE ATTACHMENTS PRIOR TO USE, AND PERIODICALLY INSPECTING THE PRODUCTS FOR ADJUSTMENT, WEAR AND DAMAGE. THEREFORE, YOU MUST READ AND UNDERSTAND ALL OF THE INSTRUCTIONS AND PRECAUTIONS SUPPLIED WITH YOUR FRONT RUNNER PRODUCT PRIOR TO INSTALLATION OR USE. IF YOU DO NOT UNDERSTAND ALL OF THE INSTRUCTIONS AND CAUTIONS, OR IF YOU HAVE NO MECHANICAL EXPERIENCE AND ARE NOT THOROUGHLY FAMILIAR WITH THE INSTALLATION PROCEDURES, YOU SHOULD HAVE THE PRODUCT INSTALLED BY A PROFESSIONAL INSTALLER OR OTHER QUALIFIED PERSONNEL.

NOTE: Front Runner will not be responsible for any damage caused by the failure to install the product according to these instructions.
Please call us if you have any questions about the installation of this product.

1

GET ORGANIZED

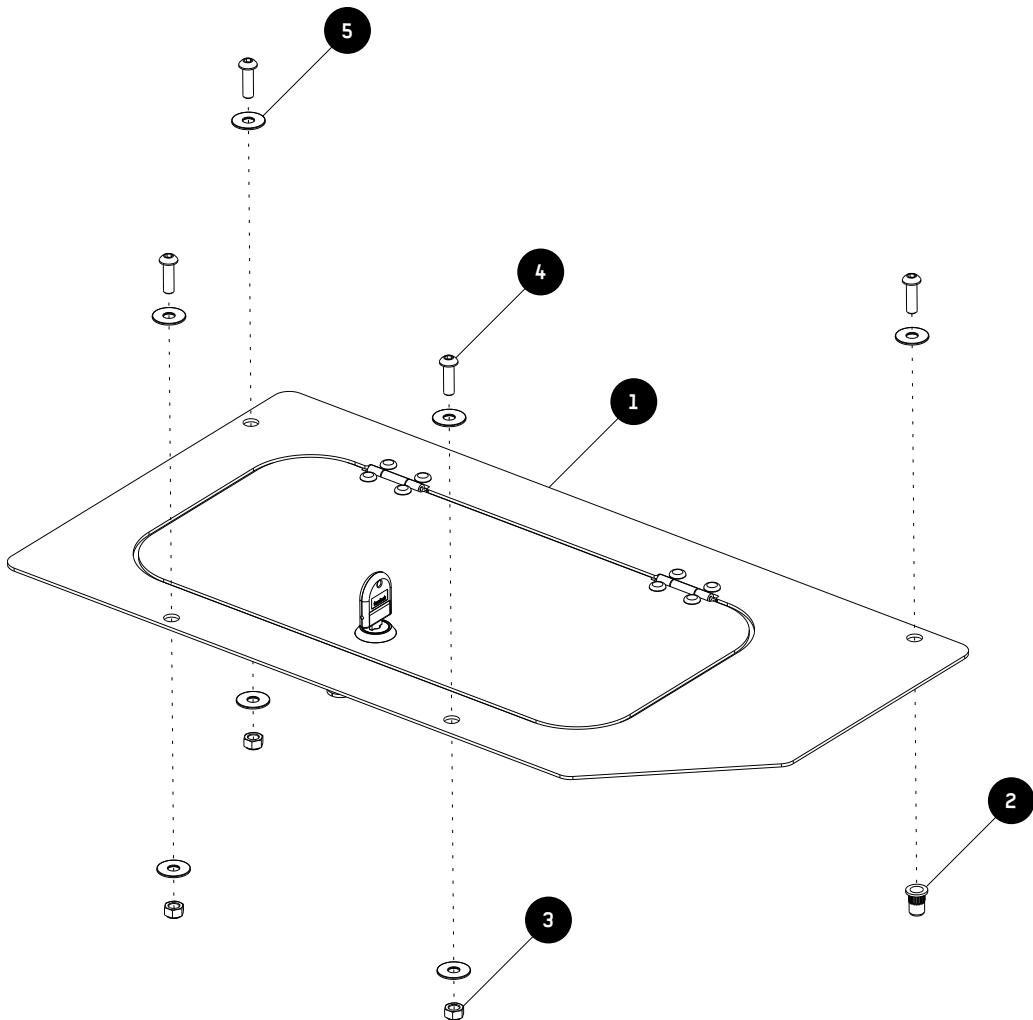
IN THE BOX

1	1 X	Safe Assembly
2	1 X	M6 Rivnut
3	3 X	M6 Nyloc Nut
4	4 X	M6 x 20 Button Head
5	7 X	M6x19x1 Flat Washer

TOOLS NEEDED



FIGURE 1.1



2

FIT AND SECURE

2.1



🔄 The fitment is the same for both Revo & Vigo models. The safe must be installed below the passenger side rear seat for both Revo & Vigo models.

Lift up the rear seat and securley lock the strap through the center head rest.

On the Revo model the cover must be removed with a utility knife by cutting away the stitching that is the hinge point of the cover as illustrated by the white line.

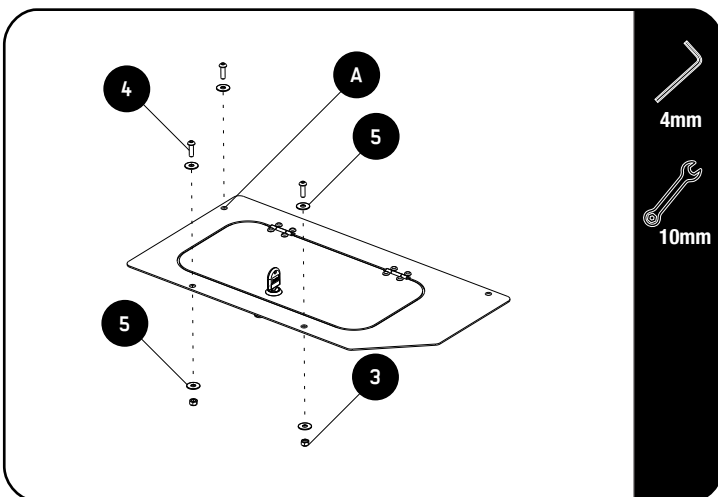
On the Vigo model the cover is attached with a velcro strip, the cover can be removed by pulling on the velcro strip.

2.2



🔄 Remove the retaining clips at the specified locations marked with a circle, these holes will be the mounting points used to secure the safe to the body work of the vehicle.

2.3



🔄 Loosely fit the Safe Assembly (Item 1) to the specified holes shown in Step 2.2.

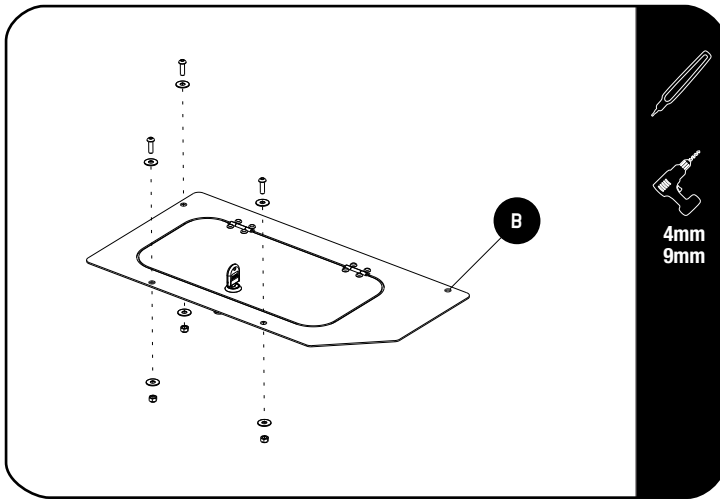
Insert the top M6 x 20 Button Head Bolt and M6x19x1 Flat Washer (Item 4 & 5) through the specified hole, then loosely secure the bottom M6x19x1 Flat Washer and M6 Nyloc Nut (Item 5 & 3).

Note: The front two fasteners can be loosely fitted, whilst the M6 x 20 Button Head & M6x19x1 Flat Washer (Item 4 & 5) used for fastening point (A) can be dropped through the mounting hole to locate the Safe Assembly (item 1).

2

FIT AND SECURE

2.4



Mark mounting point (B) with a marker and remove the Safe Assembly (Item 1) so that the marked point can be drilled.

Drill a pilot hole with a 4 mm metal drill bit on the mark that you made with the marker.

Enlarge the pilot hole with a 9 mm drill bit so that the hole can accommodate the included M6 Rivnut (Item 2).

Fit the M6 Rivnut (Item 2) into the drilled hole marked as (B).

2.5



Refit the Safe Assembly (Item 1) by fully tightening all of the M6 x 20 Button Head Bolts, M6x19x1 Flat Washers & M6 Nyloc Nuts (Item 3, 4 & 5) refer to Figure 1.1 for fastener locations.

Note: To easily secure fastening point (A) slide the bottom fasteners (Item 3 & 5) along the body work with your finger and use the top fasteners (Item 4 & 5) to accurately align the bottom fasteners with the mounting hole and top fasteners.



Tightening Torque:

M6 : 8-10Nm / 5.9 ft lb - 7.38 ft lb

3

FINISH

Congratulations! You did it. Take a step back and admire your work!

4

INSTALL OTHER VEHICLE AND RACK ACCESSORIES

Now's the time to visit your favorite Front Runner Dealer in person or online.

Be sure to tag us. We love to see our gear in action! #FrontRunnerOutfitters

Share your adventures on:

