



## FITMENT INSTRUCTIONS

TOYOTA HILUX REVO CANOPY (DC & XC)

# Installation Instructions

---

## Preliminary information

Installation and fitment instructions including tools required, fasteners included in kit, and the hardware included in kit.

Please follow the instructions and check installation actions with the images in this document.



Service Enquiries email  
[queries@alu-cab.com](mailto:queries@alu-cab.com)

## Installation Instructions

---

1

Canopy Fitment – Tools, Fasteners & Materials The tables below show the equipment, i.e. tools and fasteners required to start the canopy fitment for a Toyota Hilux Revo

1.1

### Tools & Items Required

TOOL
Ratchet
Phillips Screwdriver
13mm Socket
13mm Ring Flat Spanner

Please be sure to lay out all parts provided on a table or flat surface in order to check that all required parts are accounted for and prevent potential frustration at a later stage.

## Installation Instructions

1.2

### Fasteners Supplied (included with canopy)

ITEM	QTY
M8x40mm Hex Bolt	2
M8x30mm Hex Bolt	12
M8x25mm Hex Bolt	8
M8 Flat Washer	20
M8 Nyloc Nuts	12
M8 Plastic Nut Cap	24

1.3

### Hardware Required

ITEM	QTY
Left Front Support Bracket	1
Right Front Support Bracket	1
Left Rear Support Bracket	1
Right Rear Support Bracket	1
Universal Bracket	4
Centre Mounting Bracket	2
Bracket Spacers	32

1.4

### Consumables Required

ITEM
Turpentine
Cloth
Black sealant, silicone or Sikaflex
Window Cleaner

Please be sure to lay out all parts provided on a table or flat surface in order to check that all required parts are accounted for and prevent potential frustration at a later stage.

## Installation Instructions

2

### Front and Rear Canopy Support Brackets

In Figure 1 and Figure 2 below are the canopy support brackets for the Toyota Hilux Revo.



Figure 1:  
Front Support Canopy Brackets



Figure 2:  
Rear Support Canopy Brackets

## Installation Instructions

2.1

Mounting the Support Brackets to the Load Bin

Step 1 – Removing the Standard Hooks

Remove the front and rear standard hook brackets from the load bin using a Philips screwdriver.

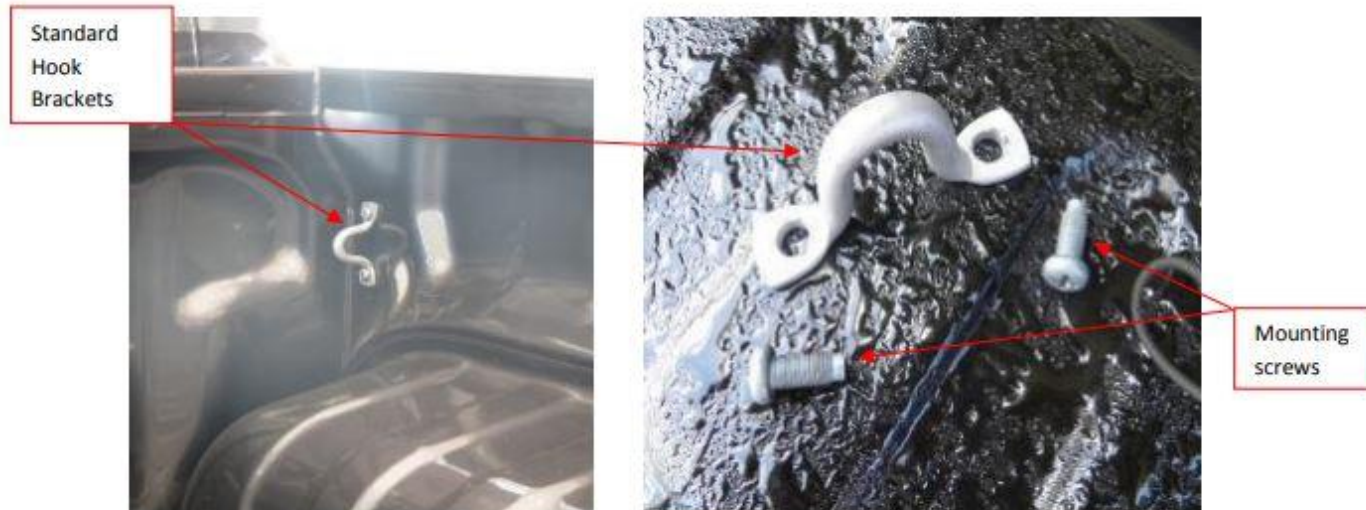


Figure 3: Standard Hook Points

## Installation Instructions

2.1

Step 2 – Positions of the Front and Rear Support Brackets to the Load Bin

Figures 5 and Figure 6 shows where the mounting brackets are fixed to the load bin. The top of the brackets must be flush with the load bin.

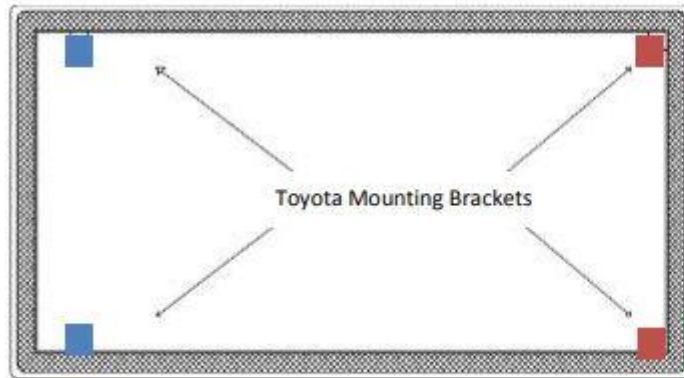


Figure 5: Top View of Load Bin

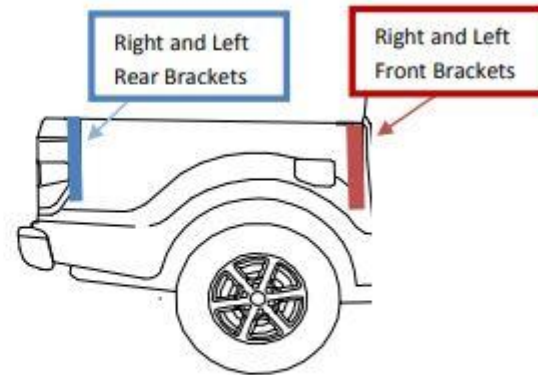


Figure 6: Side View of Load Bin

## Installation Instructions

2.1

Step 3 – Bolting the front support brackets to the load bin

Align the hook bracket and the support bracket to the load bin mounting holes and mount it together using the same mounting screws shown in Figure 7. Alternatively, you can use M8x30 Hex bolts, flat washers and spring washer. This is done for the left and right hand side front support brackets.



Figure 7: Installing Front Support Bracket



## Installation Instructions

---

2.1

Step 4 – Bolting the rear support brackets to the load bin

Repeat Step 3 for the rear support brackets. This must be done for the left and right hand side rear support brackets.



Figure 8: Aligning the Rear Support Bracket

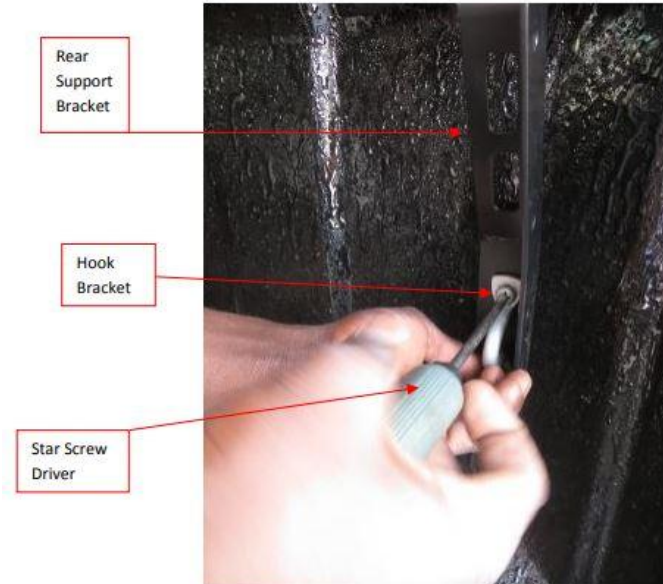


Figure 9: Mounting the Rear Support Bracket

## Installation Instructions

---

3

Centre Mounting Brackets The centre mounting bracket consists of two brackets shown in Figure 10 and Figure 11 below.

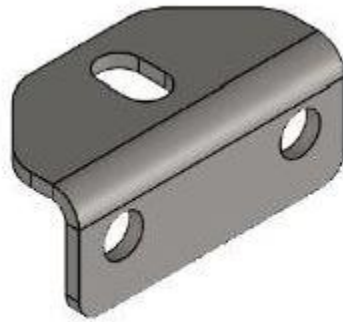


Figure 10: Canopy Mounting Bracket

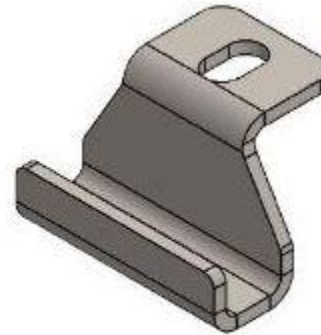


Figure 11: Load Bin Mounting Bracket

## Installation Instructions

3.1

### Mounting the Centre Mounting Bracket

Figure 12 below shows a section view of how the centre mounting bracket clamps onto the load bin. Figure 13 below is the assembly of the centre mounting bracket.

Alternatively, you can use a M8x40 Hex bolt for this assembly.

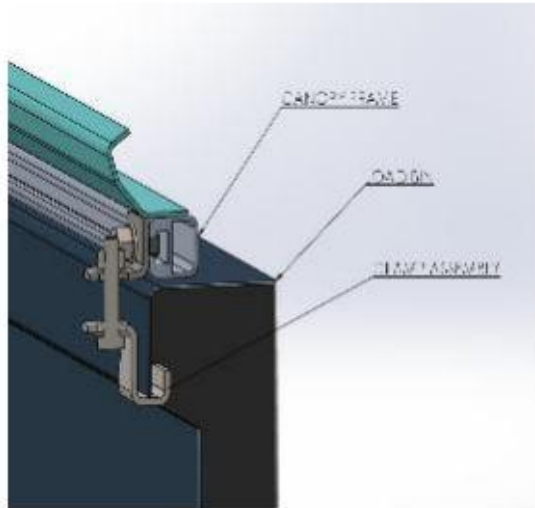


Figure 12: Section View of Clamping Method

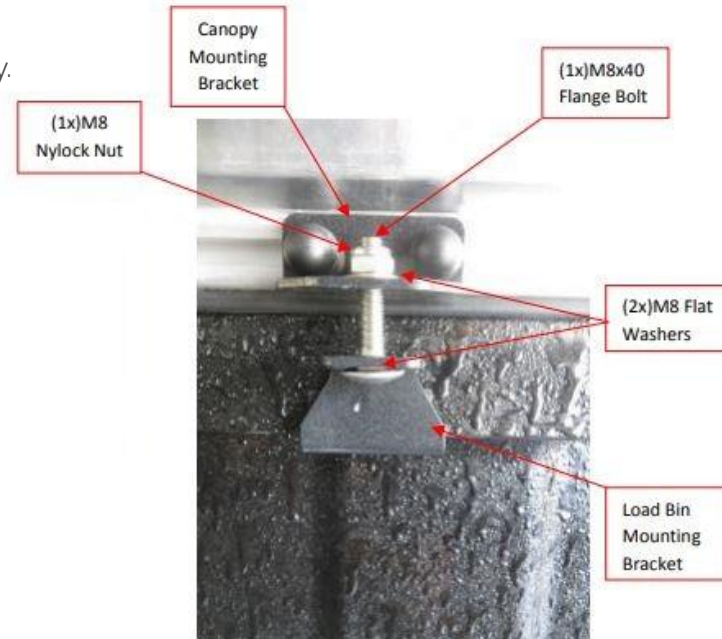


Figure 13: Centre Bracket Mounting Assembly

## Installation Instructions

---

4

### Canopy Installation

Before placing the canopy onto the load bin, check that the D-Rubber is intact on the canopy. If this is not done, the canopy and/or load bin could be damaged or can cause leaks into the canopy.

To position the canopy, ensure that it is flush with the load bin.

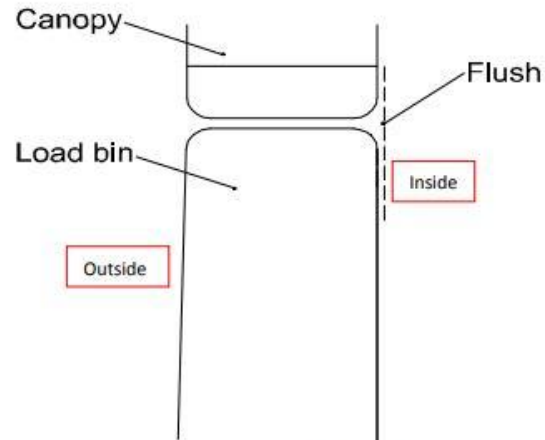


Figure 14: Canopy and Load Bin Alignment

## Installation Instructions

4.1

### Canopy Fitment to Load bin

Keep all the doors of the canopy open besides the rear door when placing it onto the load bin. Check alignment before bolting down.

#### Step 1 – Bolting the Universal Bracket to the Rear Support Bracket



Figure 15: Inserting the Bolt for the Universal to Rear Support Bracket

Figure 16: Mounting Bolt Assembly

Figure 17: Tightening the Bolt for the Universal-Rear Right Support Bracket

Align the Universal bracket to the rear support bracket which is mounted to the load bin and insert the mounting bolt. If there is a space between the brackets, spacers should be placed between the Universal bracket and support bracket before tightening the bolts. Use a M8X30 Hex bolt, M8 washer and and M8 Nylock nut to tighten these brackets together.

## Installation Instructions

---

### Step 2 – Tightening the Universal Bracket to the Canopy

The bolts are already attached to the canopy via a nut slot. Tighten the Nylock nuts and mount the universal bracket to the canopy using a ratchet and a 13mm socket. Cover the nuts with M8 nut caps. This is done for the front and rear mounting brackets.

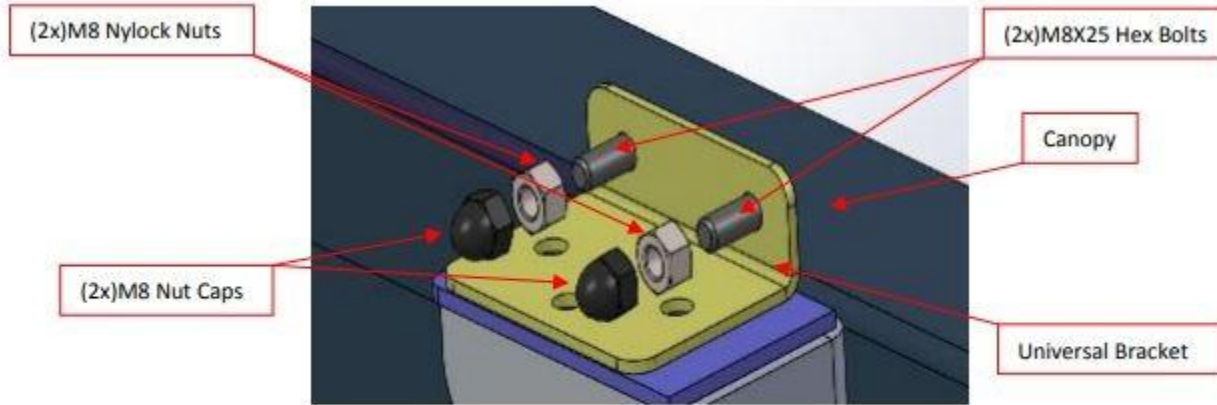


Figure 18.1: Universal-Canopy mounting bolts assembly



Figure 18.2: Rear-Right Support Bracket Installed

## Installation Instructions

### Step 3 - Bolting the Universal Bracket to the Front Support Brackets

Align the Universal bracket to the front support bracket mounted to the load bin and insert the mounting bolt. If there is space between the brackets, insert the bracket spacers to fill the gap before tightening the bolt.

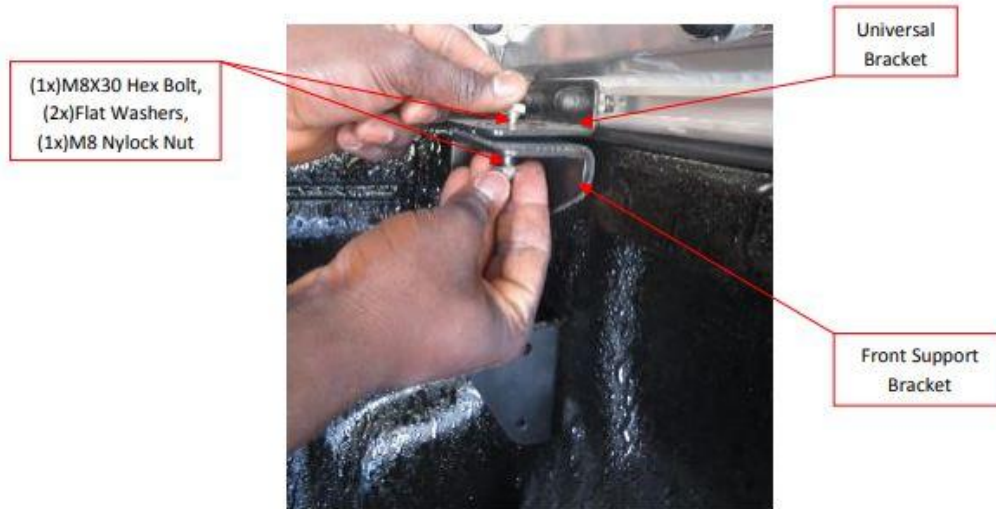


Figure 19: Inserting Bolt for Universal-Front Right Support Bracket

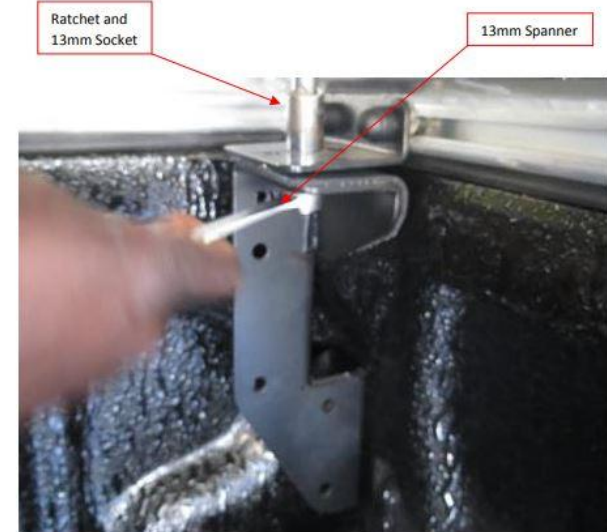


Figure 20: Tighten Bolt for Universal-Front Support Bracket

## Installation Instructions

---

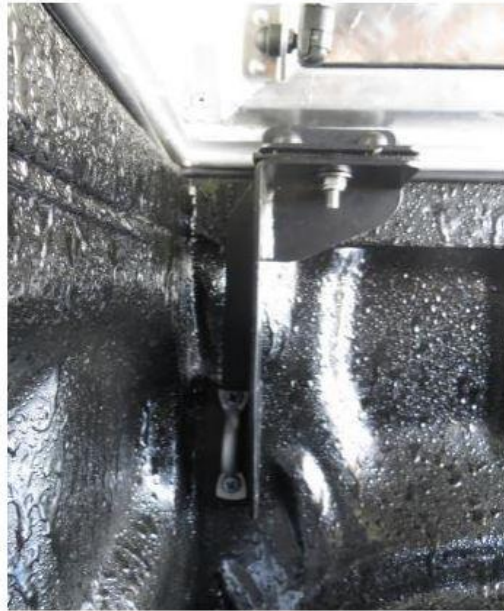


Figure 21: Front-Right Support Bracket Installed

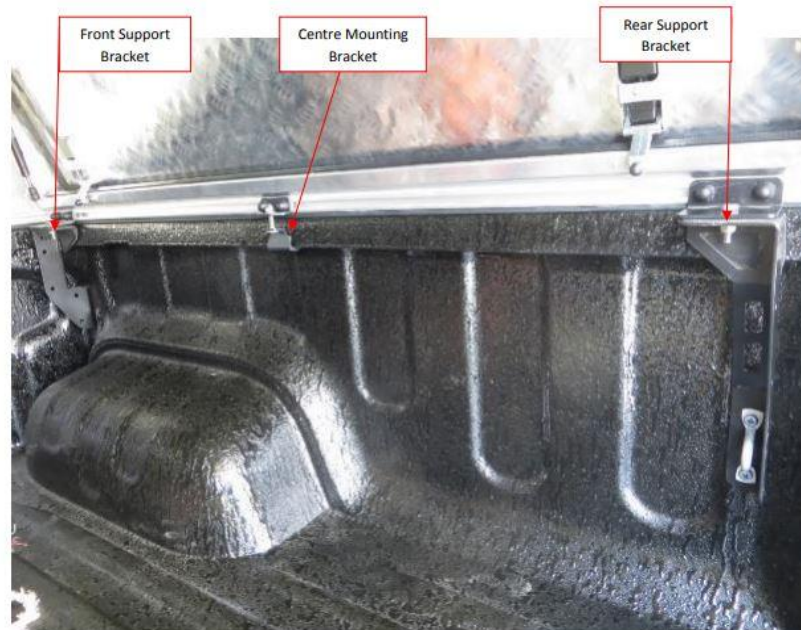


Figure 22: Right-Hand Side Support Brackets installed

After repeating and completing steps 1-3 in section 4.1 for the Left-Hand Side support brackets and section 3 for the centre mounting bracket, the canopy is installed successfully.



# Disclaimer

---

All rights reserved. No part of this website may be reproduced, translated, stored in a retrieval system, or transmitted, in any form or by any means, electronic, mechanical, photocopying, recording or otherwise, without prior written permission of the owner.

## **Review all instructions information carefully before installation.**

Any damages, direct or incidental to the installer and/or property due to incorrect installation of any parts are the responsibility of the installer. Due to the various applications and fitment options available, the responsibility lies with the user to ensure all mounting points are secure and tight before every trip.

If unsure, consult with your Distributor regarding the operations of our products.

Users are advised to be mindful of the load they are carrying and drive in accordance with road conditions.

## **WARNING**

Always wear appropriate PPE (Personal protection equipment) when fitting our products. Although the mounting kit is designed to be DIY, if you have any doubts or concerns, contact an accredited fitment centre to carry out the work. Alu-Cab will not be liable for any injury to persons, and/or damage to products and/or vehicles.

While Alu-Cab Holdings takes reasonable measures to ensure that the contents of this Website are accurate and complete, Alu-Cab Holdings makes no representations or warranties, whether express or implied, as to the quality, timeliness, operation, integrity, availability or functionality of this Website or as to the accuracy, completeness or reliability of any information on this Website. Alu-Cab Holdings reserves the right to make changes, corrections and/or improvements to the information and to the products and programs described in such information, at any time without notice.

Alu-Cab Holdings will use reasonable endeavours to maintain the availability of the Website, except during scheduled maintenance periods, and reserves the right to discontinue providing the Website or the service or any part thereof with or without notice to you. Any person who accesses this Website or relies on this Website or on the information contained in this Website does so at his or her own risk.

Occasionally, at our discretion, we may include or offer third-party products or services on our website. These third-party sites have separate and independent privacy policies. We therefore have no responsibility or liability for the content and activities of these linked sites. Nonetheless, we seek to protect the integrity of our site and welcome any feedback about these sites.